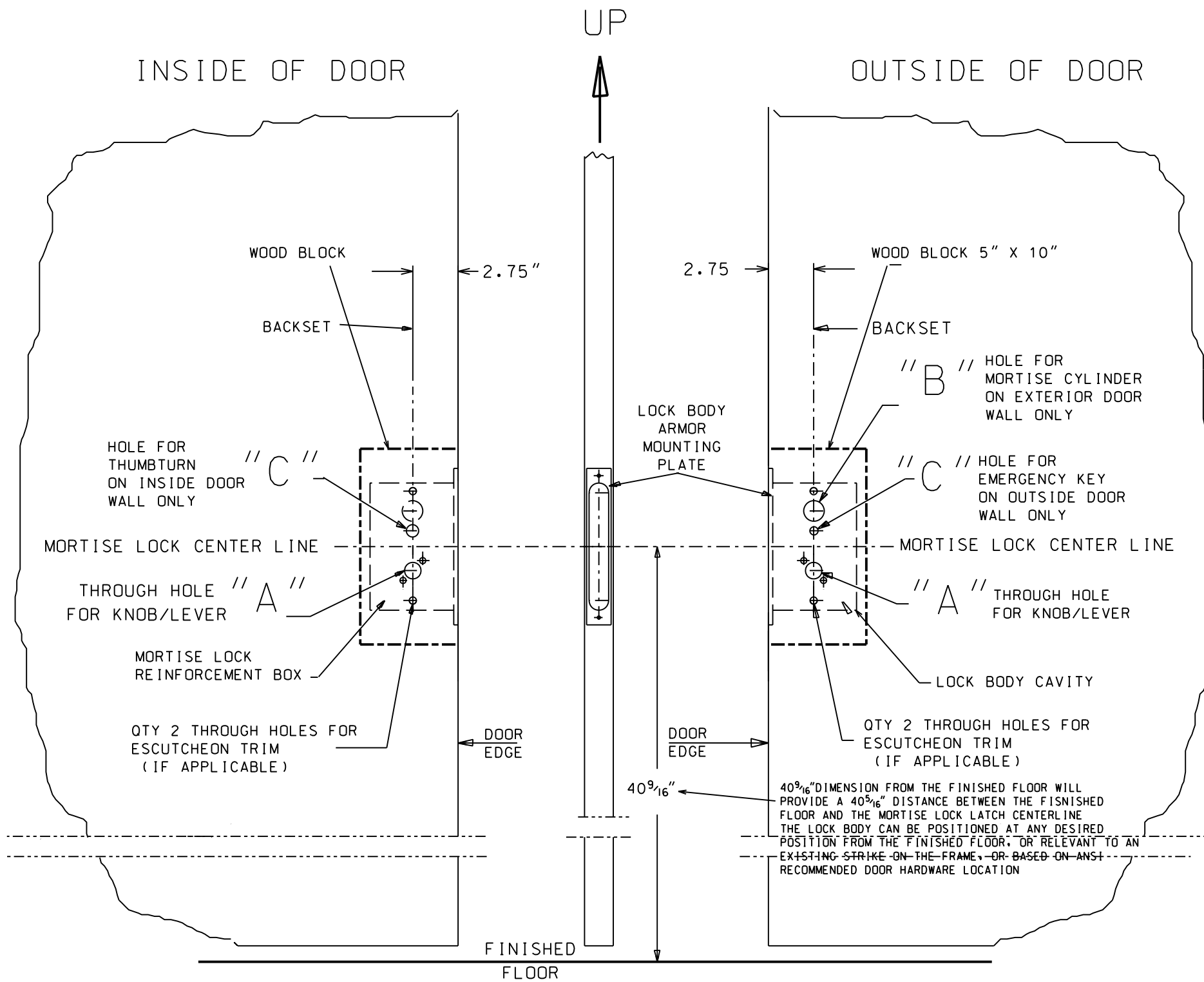


DM SERIES MORTISE LOCK



DOOR PREPARATION TABLE	TRIM					
	OUTSIDE			INSIDE		
	KNOB/LEVER HOLE	CYLINDER HOLE	THUMBTURN HOLE	KNOB/LEVER HOLE	CYLINDER HOLE	THUMBTURN HOLE
LOCK FUNCTION	A	B	C	A	B	C
DM10 PASSAGE	X			X		
DM42/42I PRIVACY	X		X	X		X
DM45 ENTRANCE	X	X		X		X
DM50 OFFICE	X	X		X		
DM56 DORMITORY	X	X		X		X
DM70 CLASSROOM	X	X		X		
DM80 STOREROOM	X	X		X		
DM84 STOREROOM WITH DEADBOLT	X	X		X		X

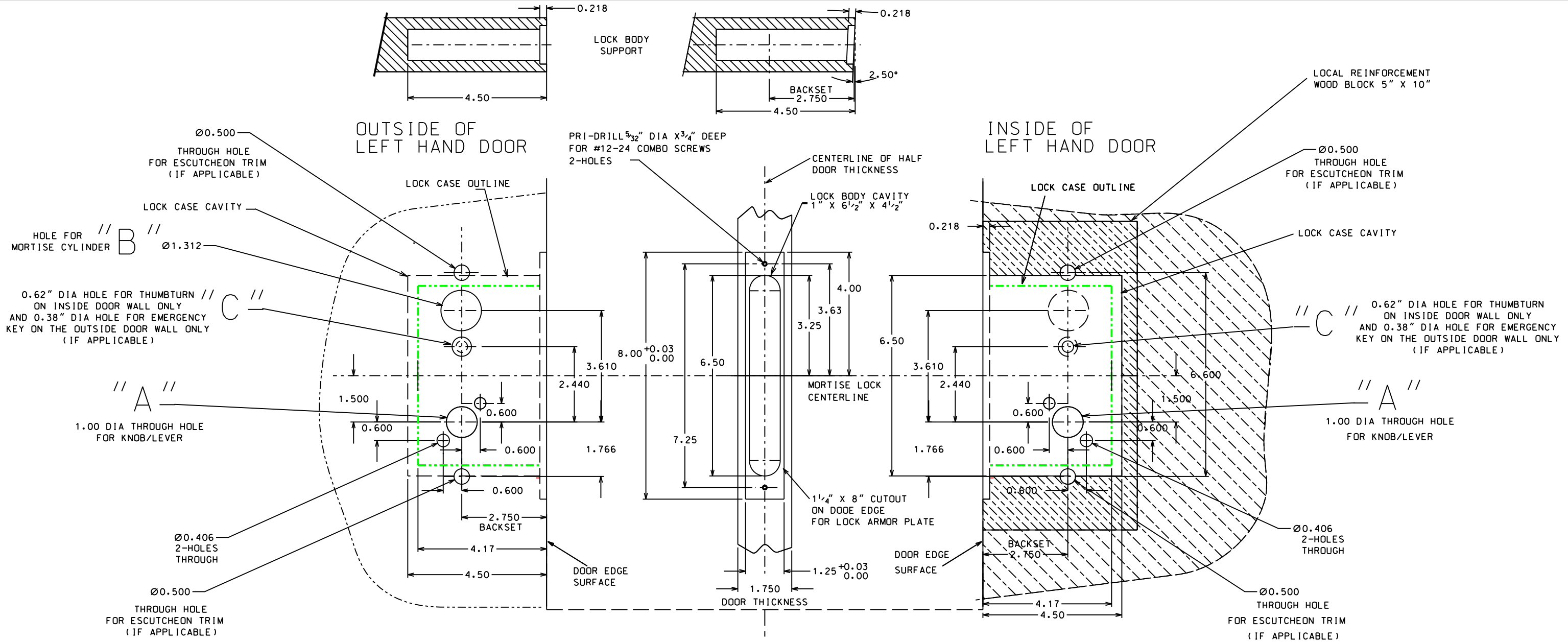
DISCLAIMER:
 THE SUPPLIED DOOR PREPARATION IS BASED ON LATEST PRODUCT CONFIGURATION AND INDUSTRY DIMENSIONAL TOLERANCES. DOREX RESERVES THE RIGHT TO CHANGE OR UPDATE THE DOOR PREPARATION DATA AT ANY TIME
 IT IS THE RESPONSIBILITY OF THE USER TO ENSURE THAT THE LATEST DOCUMENT REVISION IS USED BY CONTACTING HIS DOREX REPRESENTATIVE

NOTES:

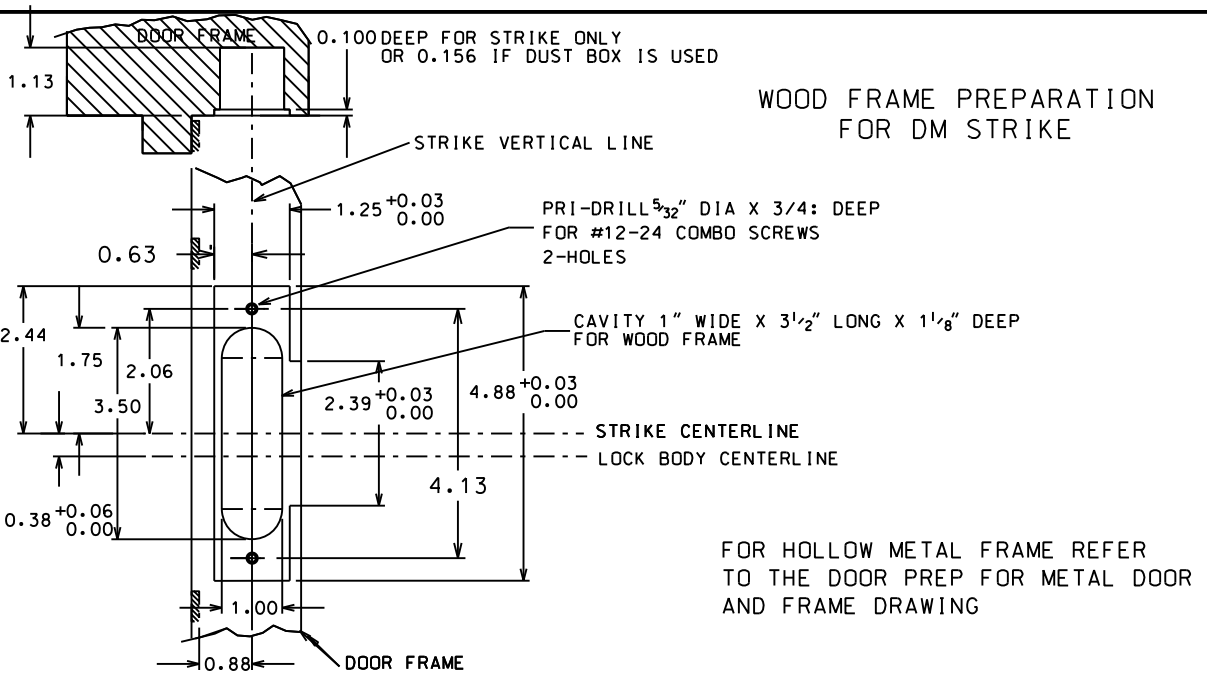
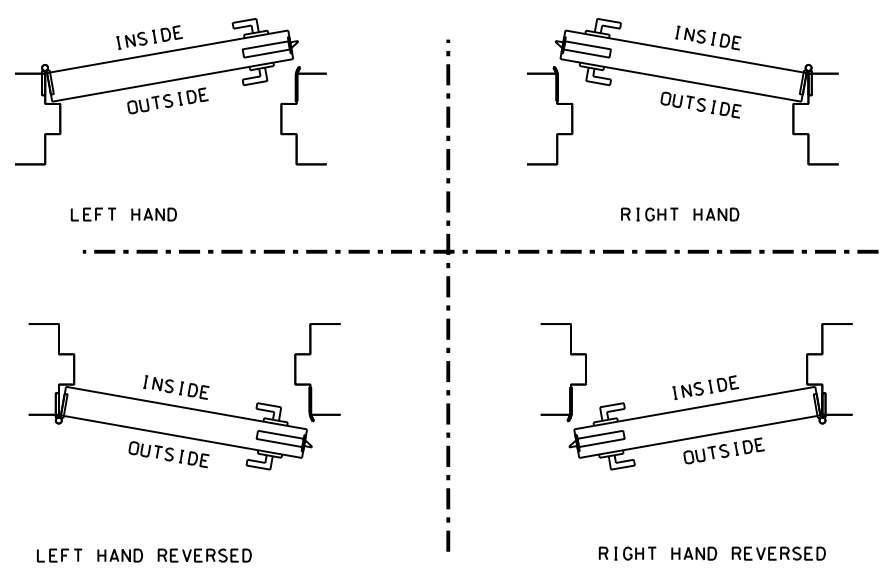
1. DRAWING DEPICTS THE DOOR AND FRAME PREPARATION FOR A DM MORTISE LOCK INSTALLATION ON A SOLID WOOD DOOR AND FRAME
2. APPROPRIATE REINFORCEMENT IS RECOMMENDED TO SUPPORT AND INSTALL THE LOCK BODY IN THE DOOR EDGE AND STRIKE IN THE FRAME
3. DRAWING DEPICTS SUGESTED METHOD OF DOOR AND FRAME REINFORCMENTS
4. BEFORE DRILLING OR CUTTING HOLES, CONSULT THE DOOR PREPARATION TABLE TO DETERMINE THE HOLES THAT NEED TO BE DRILLED OR SAW-CUT FOR THE APPROPRIATE DOOR HANDING AND LOCK FUNCTION
5. FOR DETAILS SEE SHEET 2
6. THE LOCK BODY ARMOR PLATE MOUNTING SURFACE MUST BE VERTICAL WITHIN 0.015"
7. THE STRIKE HORIZONTAL CENTERLINE MUST BE WITHIN 3/8" TO 7/16" ABOVE THE MORTISE LOCK CENTERLINE

ALL DIMENSIONS ARE IN INCHES DO NOT SCALE DIMENSIONS ON DRAWING

TOLERANCES		DOREX			
DIMENSIONS (IN INCHES)	DEGREES	DRAWN	DATE	TITLE	
0.X ± 0.04"	± 0.5	CC	15-JUL-16	WOOD DOOR & FRAME PREPARATION FOR DM MORTISE LOCKS	
0.XX ± 0.02"					
0.XXX ± 0.010"					
UNLESS OTHERWISE SPECIFIED		APPR'D	DATE		
NOT APPLICABLE			15-JUL-16		
FINISH		APPR'D	REV DATE	SCALE 1:1	DWG NO
NOT APPLICABLE			21-SEP23	UNLESS OTHERWISE SPECIFIED	CAN-DP-DM-WOOD
				REV -D-	SHEET 1 OF 2



HANGING OF DOOR - ORIENTATIONS



- NOTES:
1. DOOR MANUFACTURER MUST USE APPROPRIATE REINFORCEMENT TO ENSURE DOOR SURFACES DO NOT BOW-IN WHEN LOCK LEVERS ARE ATTACHED
 2. DRAWING DEPICTS A 1 3/4" THICK WOOD DOOR AND WOOD FRAME WITH 1/8" THICK DOOR STOP. SILENCERS. WHEN DOOR GASKETING OF LARGER THICKNESS ARE USED PROPER ALLOWANCE MUST BE MADE FOR THE VERTICAL STRIKE LOCATION.
 3. DOOR SURFACES MUST BE FLAT AND FLUSH WITHIN 1/32" AT THE AREA OF THE LOCK
 4. IF METAL FRAME IS USED, REFER TO THE METAL DOOR & FRAME PREPARATION DRAWING
 5. THROUGH HOLES ON THE DOOR MUST BE ALIGNED

ALL DIMENSIONS ARE IN INCHES DO NOT SCALE DIMENSIONS ON DRAWING

TOLERANCES		DOREX			
DIMENSIONS (IN INCHES)	DEGREES	DRAWN	DATE	TITLE	
0.X ± 0.04"	± 0.5	CC	15-JUL-16	WOOD DOOR & FRAME PREPARATION FOR DM MORTISE LOCKS	
0.XX ± 0.02"					
0.XXX ± 0.010"					
UNLESS OTHERWISE SPECIFIED		APPR'D	DATE		
MATERIAL			15-JUL-16		
NOT APPLICABLE		APPR'D	REV DATE	SCALE 1:1	DWG NO
FINISH			21-SEP-23	UNLESS OTHERWISE SPECIFIED	CAN-DP-DM-WOOD
NOT APPLICABLE				REV -D-	SHEET 2 OF 2

FILE: DM_DoorPrep_WOOD..DGN